

Version 1.4

Operating instructions



Czech Republic



**Please check updates of operating instructions at www.rotomotor.cz,
that your engine has still the best care.
(can happen important changes that will lead to longer life, higher performance or
important recommendations)**

User's Manual for Roto 170 FS Engine

**Congratulations on purchasing the four stroke engine ROTO,
manufactured exclusively in the Czech Republic.**

You have purchased a new four stroke four cylinder gasoline engine. It is important to follow a few necessary steps to insure a successful first start in your model airplane.

Since the engine has been started and tested by the manufacturer, it will perform as required. The engine has been adjusted and tested with an attached 30/10 propeller and the ROTO FS exhaust. Recommended rpm are 800 - 5500.

Packaging content:

Engine	1 piece
Ignition	2 pieces
Sparkplug wrench	1 piece
Silicon hose	4 pieces
Tie straps	8 pieces

Engine Mounting

For mounting the engine inside the model airplane, we recommend using 5mm high strength steel bolts, large flat washers and lock nuts.

Warning!

Check the engine mounting for tightness periodically.

To the engine worked properly and its properties have been optimized, the engine must be at operating temperature. Never adjust a cold engine.

The carburetors are factory-set (in ROTOmotor). We do not recommend any dismounting of the intake manifolds, carburetors or connecting rods of the carburetors. The carburetors are on some types of ROTO engines mechanically connected and adjusted. In the case of dismounting of any this part must be made a new adjustment of the throttle flaps and of the whole operation of all carburetors.

Engine Installation

It is necessary to provide enough fresh air to the intake of the carburetor. (In case of lack of air, the engine may exhibit poor performance and it may fluctuate at the maximum speed.)

It is necessary to ensure sufficient cooling of the cylinder heads and of the cylinders by sufficient supply of fresh air from the propeller and/or from the ambient environment.

Exhaust

The elbows of the exhaust can rotate. As soon as the desired position is achieved, the center 19 mm bolt can be tightened to fix them in place.

Warning!

Do not damage the exhaust elbows ends! The extension pieces that can be attached to them might not seal properly.

The silicon hose is used to seal the joint between the exhaust elbows and the ROTO FS exhaust pipes or between the extension piece and the ROTO FS exhaust pipe. The extension piece and the ROTO FS exhaust pipe are not part of the packaging !

Use the included tie straps on both ends of the silicon hose to connect the extension piece or the exhaust pipe.

Warning!

Do not reduce the diameter of the exhaust pipes.

Warning

The silicone hose properly seals only if the contact surfaces are clean of dirt and grease. If repeated connection is made, contact surfaces have to be cleaned and degreased.

Warning!

The gap between the elbows and the exhaust pipe should not exceed 2mm.

Fuel System

The gas line needs to be connected to the carburetors. Remove the protective cap from the carburetor's threaded nozzle and connect the gas line to it.

Warning!

Reinstalling the protective cap during extended periods while the engine is removed is recommended to prevent the carburetors from drying up and therefore causing the engine to malfunction..

Carburetors

There are an air intakes attached to the carburetors that must not be covered!

Warning!

Do not remove or alter the air intakes! It is a part of the engine responsible for its correct operation.

Engine Oil Discharge

There is a small amount of unburned engine oil used to lubricate the crankcase that needs to be discharged. Please remove the cap from the small yellow threaded nozzle on the bottom side of the back engine cover and connect a hose to it routing the oil away, toward the chassis is preferred or to a small vented tank placed inside the model, which must be periodically cleaned.

Warning!

Keep the discharge hose clear otherwise, engine damage can occur!

In no case reduce the inside diameter of the hose, otherwise the engine will be damaged!

In case of lubrication waste, the engine will be damaged !!!

Propeller Mounting

It is very important to mount the propeller correctly. There are 6 high strength steel 4 mm screws used. Please tighten them evenly. Also, make sure that the propeller is sitting flush with the mounting plate.

Always follow the propeller manufacturer's instructions.

Warning!

Check for tightness of the screws regularly, especially when the propeller is new and made of wood. If the propeller comes loose, the mounting screws can break and the engine would require authorized repair work.

In order to mount the propeller flush with the mounting plate you can measure the distance between one blade of the propeller and an attached object, then rotate the blade 180° and measure the distance between the other blade and an attached object. The distance must be the same!

Engine Lubrication

The correct engine lubrication is achieved by adding engine oil to the gasoline in a 1:40 ratio .

Gas Liter	Oil Liter
1	0,025
2	0,05
3	0,075
4	0,1
5	0,125
6	0,15

Use petrol 95 - 98 okt. + Motul 800 oil at 1:40.

When using another brand or oil tip, warranty conditions are lost!

You can order this oil at the e-shop on our website www.rotomotor.cz.

Valve Adjustment

In order to achieve long lasting engine performance, the valve clearance needs to be checked and adjusted if necessary after 2-3 hours of operation.

To check and adjust the valve clearance: remove the valve cover by unscrewing the mounting screws, moving the engine into its top dead center position (the mark on the propeller carrier needs to be aligned with the parting plane on the upper side of the engine).

After that, you can start adjusting the valve clearance on the side of the engine where neither of the rocker arms are engaged.

Clearance adjustment:

Loosen the lock nut using a wrench. After the desired clearance is achieved by turning the screw with a screwdriver, retighten the lock nut. Then proceed to the next valve.

Intake valve - 0,1mm
Exhaust valve - 0,2mm

After rotating the engine by 360° repeat on the other side and reassemble it.

If you do not have much experience doing the valve adjustment in this manner:

1. Send the engine to an authorized repair shop for the valve adjustment.
2. Get the information from the manufacturer at techinfo@rotomotor.cz

Now the engine has been set up and no further adjustment will be needed unless other engine work is being done.

Ignition

Warning!

Don't remove the sensors of the ignitions from the back engine cover.

Installing the ignition is an important part of mounting the engine into the model airplane. The ignition has to be placed in a place where it cannot be affected by excessive heat from the cylinder heads or the exhaust system.

If the ignition reaches a temperature of 60° C it will automatically turn off and the engine will stop running.

Warning!

Make sure the ignition gets sufficient cooling.

Connect the high voltage spark plug wires to the spark plugs and secure them with a 3mm screw that is between the ribs on the upper side of the cylinder head. For more modern engines, just push it the plugs on the spark plugs.

Warning!

Do not bend the high voltage spark plug wires!

Connecting the Ignition

Recommended power for ignition is a 4-9V!

**The batteries used for ignition have to be the high demand type!
Some NiMH types might not work well for ignition purposes!**

Warning!

The batteries should be fully charged before each flight!

Starting for the First Time

The first start has to follow these steps:

!!!!!!!!!!!!!!!!!!!!!!Make sure the ignition is turned off!!!!!!!!!!!!!!!!!!!!!!!!!!!!!!

Engage the carburetor choke while, if possible, covering the carburetor air intake with your finger to achieve the best engine suction. Spin the propeller blade approximately ten times then uncover the carburetor air intake, turn the choke off, turn the ignition on and start the engine without the choke. The only time this method is used is during the initial suction of gasoline into the carburetor.

Allow the engine to warm up to its operating temperature . Let the engine run for 15-20 minutes, occasionally increasing the rpms.

The next step is fine-tuning the carburetor according to which exhaust system and propeller have been used. Use the knob marked “H” to fine-tune the highest output of the engine and the knob marked “L” to fine-tune the highest rpm.

The idle speed can be adjusted using the controls on the radio transmitter.

For regular engine starting, use of the “choke less” method is recommended:

Turn off the ignition, activate the carburetor choke, spin the propeller several times in order to suck gasoline into the engine, then turn the choke off, turn the ignition on and start the engine.

Warning!

This method of starting the engine is recommended if the engine is started several times per week. If it is done less frequently, another method is preferred.

Another way of starting the engine:

First, turn the carburetor choke and the ignition on. After the engine turns over, turn the choke off and start the engine.

Warning!

Do not remove the gasoline from the chamber after use. This would let air into the system and make it harder for the engine to start!

Safety Instructions

Always use caution when handling the engine!!!

Even slow spinning of the propeller can start the engine and cause an injury!!!

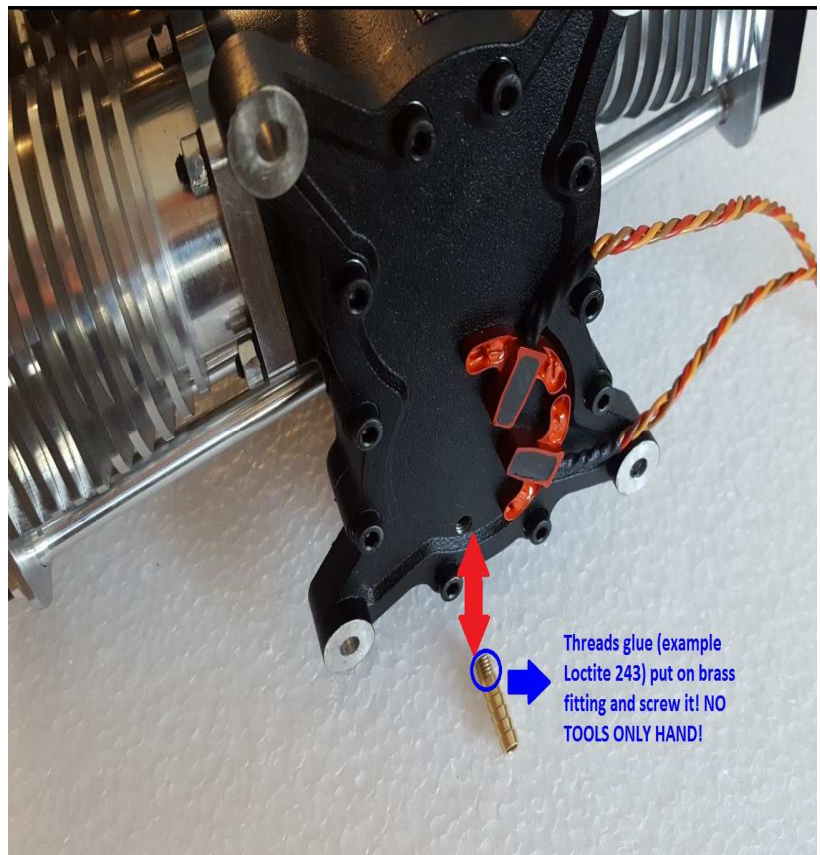
Make sure to have the model airplane secured in place when starting the engine so it does not take off and cause an injury!!!

Do not approach people with the model airplane while its engine is running!!!

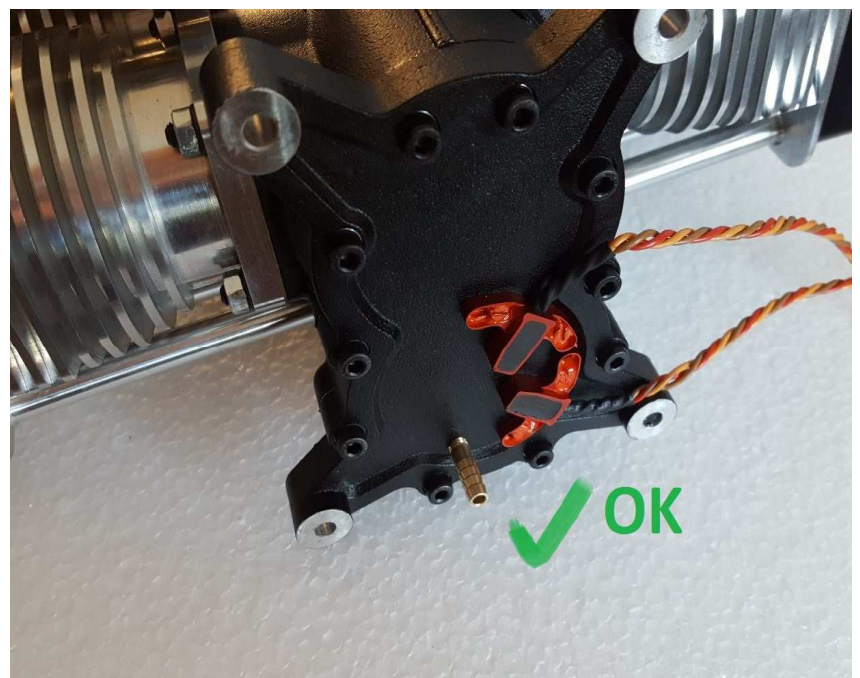
Do not touch the engine after flight, you can burn yourself!!!

Do not jeopardize your safety, follow the instructions and enjoy your new ROTO engine.

1. We degreased threads (in the back cover and brass fitting) from dirt. (picture 1)
2. Threads glue (example Loctite 243) put on brass fitting.



3. Screw it to stop!
NO TOOLS ONLY HAND!
(picture 2)



WARANTY REGISTRATION CARD

Product name:	
Type:	
Product serial number:	
Date of purchase:	
Signature:	
Dealer's name, address:	
Stamp:	

ROTOmotor s.r.o.

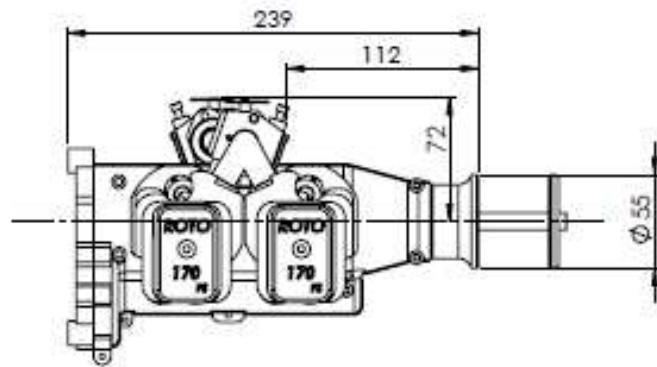
Zbečnick 259, 549 31 Hronov

Czech Republic

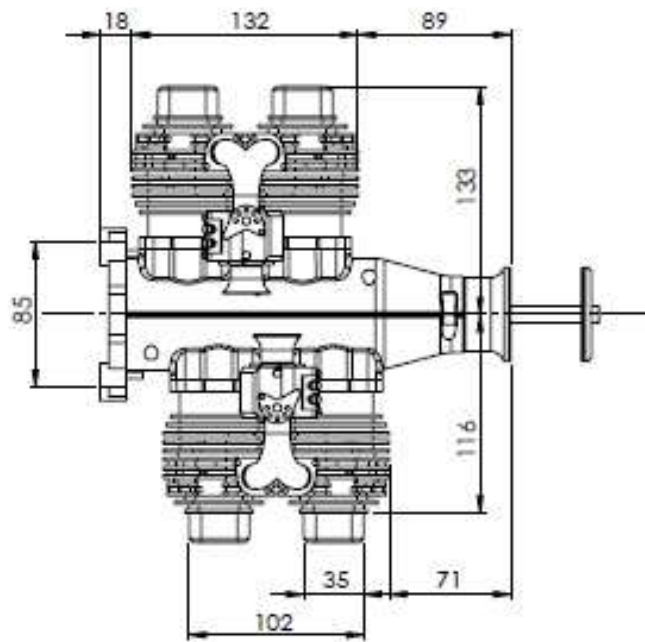
www.rotomotor.cz, e-mail: rotomotor@rotomotor.cz

Tel.: +420 491 485 100, +420 777 596 449

Drawing No. 1



ROTO 170 FS



Drawing No. 2

ROTO 170 FS

